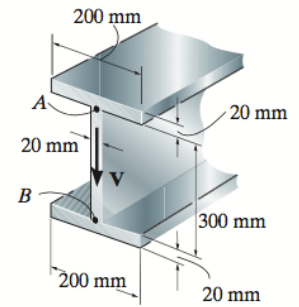
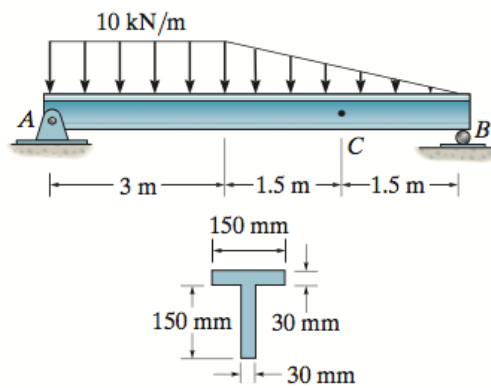


7-3. If the wide-flange beam is subjected to a shear of $V = 20 \text{ kN}$, determine the shear force resisted by the web of the beam.



*7-24. Determine the maximum shear stress in the T-beam at the critical section where the internal shear force is maximum.



7-39. A beam is constructed from three boards bolted together as shown. Determine the shear force developed in each bolt if the bolts are spaced $s = 250 \text{ mm}$ apart and the applied shear is $V = 35 \text{ kN}$.

